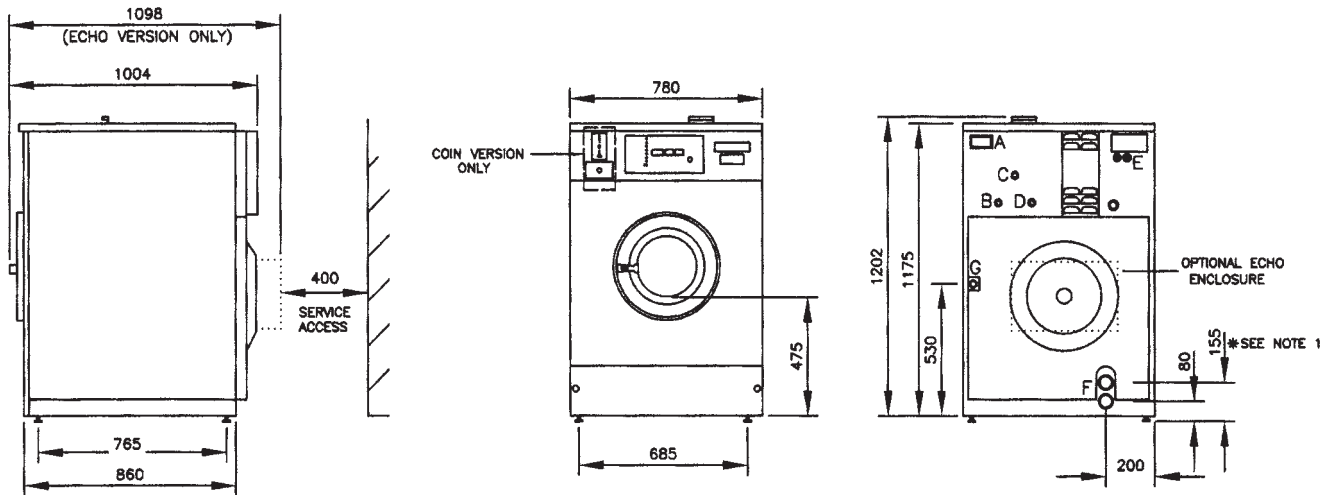


# IPSO 35 WASHER

**WRAS APPROVED PRODUCT**

Installation Specification - Dimensions shown in millimetres

I/35/10/04



**A - Ventilation Overflow Outlet, B - Soft Water Connection (cold), C - Warm Water Connection, D - Hard Water Connection (cold), E - Electrical Connection, F - Drain Outlet, G - Stean Connection.**

<b>Model</b>	<b>IPSO 35</b>	
Dimensions (HxWxD)	1202 x 780 x 1004mm	1310 x 850 x 1050mm (Boxed)
Weight	Nett	358kg (789lb)
	Loaded	423kg (932lb)
Dynamic bottom load	1200N/16Hz	
G-force	Low spin /High spin	88/363
<b>Water</b>		
No. of inlet valves	1 hot & 2 cold (hard & soft)	
Recommended temperature (Hot water)	60°C	
Minimum pressure	1.6 bar (25psi)	
Inlet size	3/4" BSP	
Flow rate	27 litres/min per supply	
Average hot consumption	58 litres per cycle	
Average total consumption	232 litres per cycle	
<b>Drain</b>		
Size	50mm	
Drain by gravity	80 litres/min	
<b>Electrical JLA 35 Manual</b>		
Three phase	Self-heat 12Kw	415v/50Hz/3ph + N/32A/ph
Single phase	Boiler fed	240v/50Hz/1ph/16A (Optional)
	Steam	240v/50Hz/1ph/16A (Optional)
	Self-heat 6Kw	240v/50Hz/1ph/32A (Optional)
	9Kw	240v/50Hz/1ph/45A (Optional)
<b>JLA 35 Coin Operated</b>		
Single phase	Boiler fed	240v/50Hz/1ph/16A
Motor rating	1500watt	
<b>E.C.H.O (If Fitted)</b>		
Electrical	24hr single phase, 13amp fused spur, fitted with a 5amp fuse(not switched)	
<b>Steam</b>		
Consumption	16.4Kg/cycle (36lb/cycle)	
Pressure	90 - 110psi	
Connection	3/8" BSP	
Minimum Installation Distance- Rear	400mm	

**Note**

Machines are supplied as standard with 2 drain connections at 80mm and 155mm high. These are maximum heights with the levelling feet in place. If the 155mm high drain is used then it is not necessary to fit an external trap. In extreme cases optional raising legs can be supplied which will increase the height by a further 75mm or 125mm respectfully.

## Foundations

The machine should be sited on a solid level floor capable of withstanding its loaded weight. (Failure to do so will result in a detrimental effect on some component parts and may effect the standard warranty). Whilst the washer is free standing it is not advised to stand it on a metal raising plinth without securing the washer to the plinth. Wooden floors are acceptable but you must ensure they are solid, level and capable of withstanding its loaded weight. Excessively flexible and springy floors will require some additional strengthening or support.

## Service Distance

A minimum service distance of 400mm is to be provided behind the machine.

## Water Supply

The machine is supplied with three water inlet valves, hot, cold hard and cold soft. If there is no soft water available or it is not needed, the soft and hard connections must come from the same supply. (Do not use plastic 'Y' pieces). The machine is fitted with its own Type 'A' Air Break System. This means that it can be connected directly to the mains supply. Separate 15mm hot and cold supplies are required. If more than one machine is to be installed, then the pipe sizes should be increased accordingly. These supplies should terminate in 3/4" BSP shut off valves with male threaded ends. If the hot water supply is insufficient in temperature, pressure or flow, the machine can then be connected solely to a cold water supply. This can only be done if the machine is equipped with a heating source, i.e. electric elements or a steam supply. This can however increase cycle times and running costs. A minimum supply pressure of 25psi is required for each supply. If this is not available cycle times will increase. To overcome this a booster pump can be fitted: **PLEASE SEE SPECIFICATION FOR FLOW RATE REQUIRED.** The hot and cold supplies should be equal to within 25psi of each other. In hard water areas its recommended that the water supply is fitted with a water softner. Failure to do so will result in a detrimental effect on some component parts and may effect the standard warranty.

**NOTE! ALL INSTALLATIONS MUST COMPLY WITH THE NATIONAL WATER REGULATIONS.**

## Drainage

The machine is fitted with a gravity drain outlet and must be positioned higher than the main drain. The drain outlet must be fitted with a "trap" removable for cleaning purposes. This is to ensure against odour re-circulation. To meet Health and Safety guidelines the drain must be sealed inside the building. Where a foul water supply discharges to an outside foul drain or gully, there is no requirement to seal the system, as it must be ventilated and accessible for cleaning. The underlying trap will prevent foul air from rising from the sewer. External gullies may be so placed for the displacement of surface or rainwater. The only exception to this rule is where the foul water discharge from the machines is under high pressure, thus rendering the water seal within the gully ineffective.

## Electrical

Each machine must be individually protected. The isolation point for the machine should be in a readily accessible position for use in an emergency. All cabling to the machine shall be sufficiently protected against damage. It shall be correctly sized to the current rating of the machine. It should be connected to the machine using a suitable cable entry fixing. Circuit breakers or fuses should be used to protect the power supply. If fuses are used then they must be of the motor rated variety. A responsible and competent operative should carry out all electrical work and ensure that all local and national regulations and codes of practice are complied with.

## Steam (Optional)

The machine should be connected to suitably sized live steam supply utilising an isolating valve, strainer/trap, electric solenoid inlet valve and a flexible steam connection hose. (Please note none of these fittings are supplied with the machine). All pipes should be lagged to protect against personal injury. All steam supply pipes should be installed to local and national codes of practice as they form part of a pressurised system.

## NOTES:-

- 1 WHERE EXISTING SERVICES ARE TO BE CONNECTED TOO, THE INSTALLER MUST ENSURE THAT THESE ARE ADEQUATELY SIZED AND THAT THEY ARE IN GOOD WORKING ORDER. FOR EXAMPLE, IF A WASHER IS TO BE CONNECTED TO AN EXISTING DRAIN IT MUST BE CHECKED FOR ANY BLOCKAGES DURING INSTALLATION.**
- 2 FOR MULTIPLE MACHINE INSTALLATIONS SERVICES MUST BE INCREASED IN SIZE ACCORDINGLY. I.E WATER PIPES, DRAINAGE PIPES,ELECTRIC CABLES ETC.**
- 3 ECHO REQUIREMENT,ONLY ONE MACHINE PER SITE WILL BE FITTED WITH AN ECHO ENCLOSURE PANEL. ONLY ONE SEPERATE FUSED SPUR IS REQUIRED PER SITE/ENCLOSURE.**